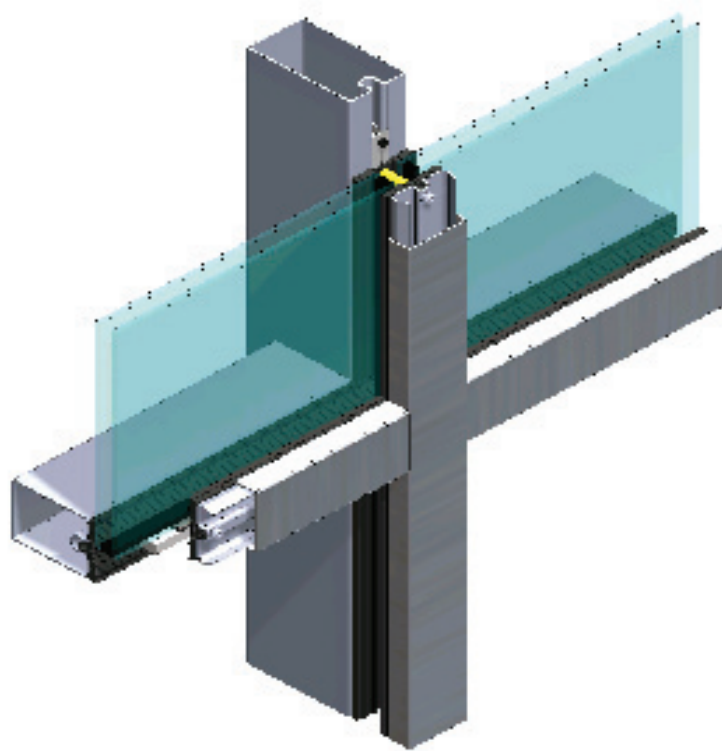


## INSTALLATION INSTRUCTION CONTENTS



### Fire Rated Steel Framing System for interior and exterior applications

#### GENERAL NOTES HANDLING, STORAGE, AND PROTECTION

The material must be protected against damage. The following precautions are recommended to assure early acceptance of your products and workmanship.

- A. HANDLE CAREFULLY - Don't drop from the truck. Stack with adequate separation so material will not rub together. Store off ground. Protect against elements and other construction trades. Wear hand protection to prevent injury due to sharp edges of cut framing members.
- B. KEEP MATERIAL AWAY FROM WATER, MUD AND SPRAY - Prevent cement, plaster, or other materials from damaging the finish.
- C. PROTECT THE MATERIALS AFTER ERECTION - Protect by wrapping with Kraft paper or by erecting Visqueen or canvas splatter screen. Cement, plaster, terrazzo, other alkaline solutions and acid based materials used to clean masonry are very harmful to the finish and should be removed with water and mild soap IMMEDIATELY.

#### GENERAL INSTALLATION INSTRUCTIONS

The following practices are recommended for all installations:

- A. CHECK SHOP DRAWINGS, INSTALLATION INSTRUCTIONS and GLAZING INSTRUCTIONS to become thoroughly familiar with the project. The SHOP DRAWINGS take precedence and include specific details for the project. The INSTALLATION INSTRUCTIONS are of a general nature and cover most common conditions.
- B. All materials are to be INSTALLED PLUMB, LEVEL, AND TRUE.
- C. All work should start from bench marks and/or column lines as established by the ARCHITECTURAL DRAWINGS and the GENERAL CONTRACTOR. Check mullion spacing from both ends of masonry opening to prevent dimensional build-up of day light opening.
- D. Make certain that construction which will receive your materials is in accordance with the contract documents. If not, notify the GENERAL CONTRACTOR IN WRITING and resolve differences before proceeding with your work.
- E. Check all materials on arrival for quantity and be sure you have everything required to begin installation.
- F. Sealants must be compatible with all materials with which they have contact, including other sealant surfaces. Consult with sealant manufacturer for recommendations relative to joint size, shelf life, compatibility, priming, tooling, adhesion, etc.
- G. FASTENING - "Fastening" means any method of securing one part to another or to adjacent materials. These instructions specify only those fasteners used within the system. Due to varying perimeter conditions and job performance requirements, anchor fasteners are not specified in these instructions. For anchor fastening, refer to the Shop Drawings or consult the fastener supplier.

### Fire Rated Steel Framing System for interior and exterior applications

H. CHECK OPENINGS - Make certain that the opening which will receive your materials is in accordance with the contract documents. If not, notify the General Contractor in writing and resolve differences before proceeding with your work.

I. BUILDING CODES - Glass and glazing codes governing the design and use of products vary widely. Kawneer does not control the selection of product configurations, operating hardware, or glazing materials, and assumes no responsibility for these design considerations. It is the responsibility of the owner, specifier, architect, general contractor and the installer to make these selections in strict conformance with all applicable codes.





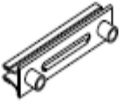

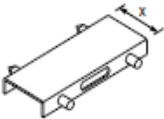
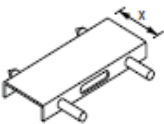

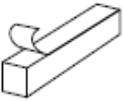
J. EXPANSION JOINTS - Expansion joints and perimeter seals shown in these instructions and in the shop drawings are shown at normal size. Actual dimensions may vary due to perimeter conditions and/ or difference in metal temperature between the time of fabrication and time of installation. Any movement potential should be accounted for at the time of installation.

K. FIELD TESTING - It is recommended that a Water Hose Test be conducted once a sufficient portion of the framing is installed, glazed and caulked to ensure proper installation. The Water Hose test shall be conducted in accordance with AAMA 501.2. In addition, larger projects should have periodic Water Hose Tests as additional precautionary measures.

L. GASKET INVENTORY ROTATION - These high quality rubber extrusions are coated with silicone lubricant. Silicone will dry over time leaving a white "chalky" residue. Please rotate your stock "FIRST IN - FIRST OUT". If the rubber becomes dry, you may use water ONE TIME to reconstitute the silicone, after that, use a soap water solution.

### Fire Rated Steel Framing System for interior and exterior applications

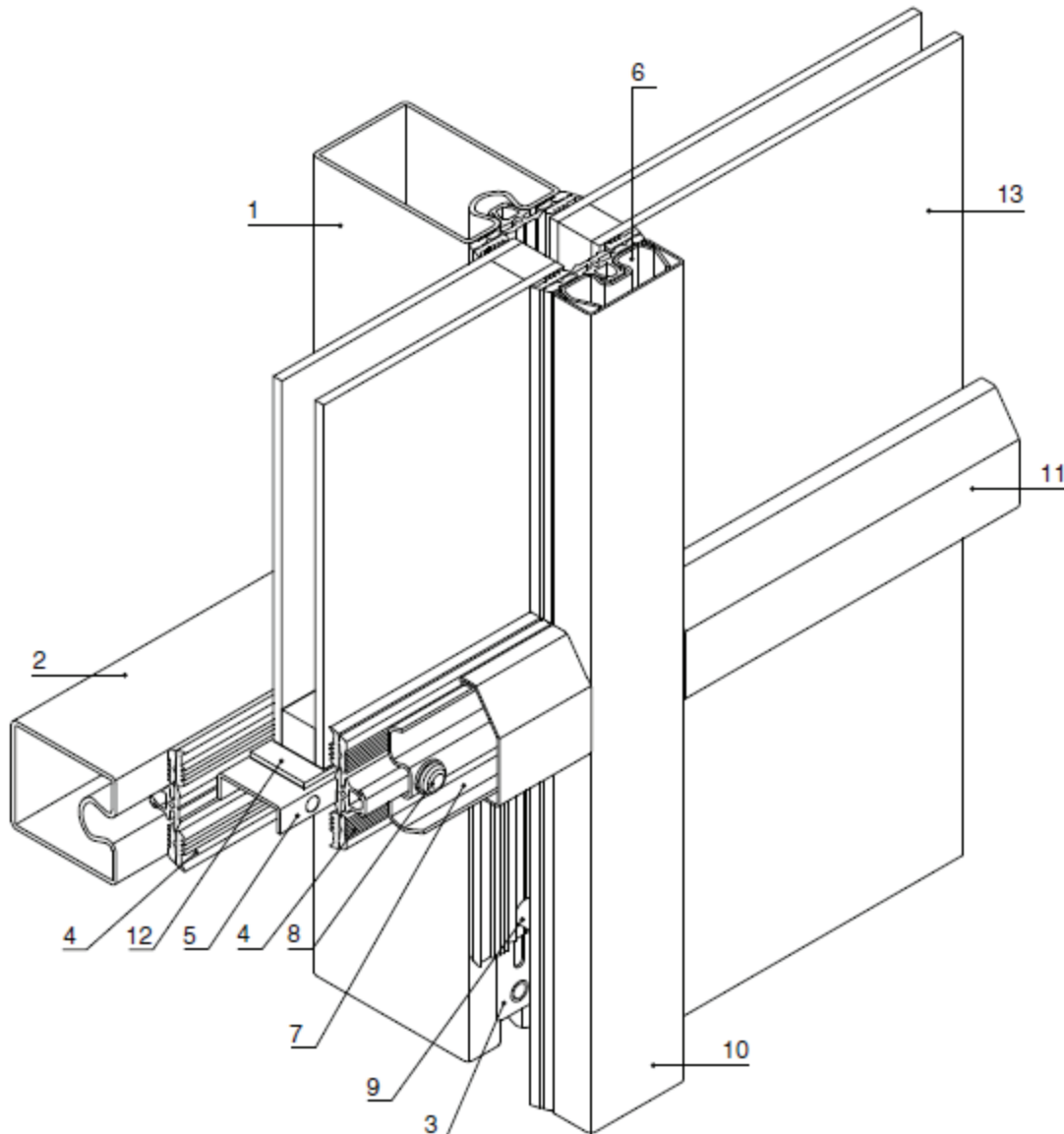
#### PARTS IDENTIFICATION

<p><b>935460</b></p> 	<p>Exterior weather stripping (EPDM)</p>	<p><b>K 10-24-0.5</b></p> 	<p>#10-24 x 1/2" Shear Block Fasteners</p>
<p><b>935461</b></p> 	<p>Interior weather stripping with drip cap (EPDM)</p>	<p><b>936482</b></p> 	<p>Spacer for Locking Screw Part number and length vary depending on glass thickness.</p>
<p><b>936570</b></p> 	<p>Fastener Receiver</p>		
<p><b>936810</b></p> 	<p>Locking Screw Part number and screw length vary depending on glass thickness.</p>		
<p><b>936725</b></p> 	<p>Setting Block Shelf - Max Load 40Kg Part number varies depending on glass thickness.</p>		
<p><b>936737</b></p> 	<p>Setting Block Shelf - Max Load 90Kg Part number varies depending on glass thickness.</p>		
<p><b>908001</b></p> 	<p>Sealing Compound</p>		
<p><b>938014</b></p> 	<p>Perimeter Filler</p>		

Fire Rated Steel Framing System for interior and exterior applications

### PARTS IDENTIFICATION

- 1 Vertical Mullion profil
- 2 Horizontal Mullion profil
- 3 Fastener Receiver
- 4 Weatherstripping int./ext.
- 5 Setting Block Shelf
- 6 Pressure Plate (Vertical)
- 7 Pressure Plate (Horizontal)
- 8 Pressure Plate Screw
- 9 Spacer
- 10 Cover (Vertical)
- 11 Cover (Horizontal - Shown with optional beveled cover)
- 12 Setting block
- 13 Infill



# VDS CURTAIN WALL

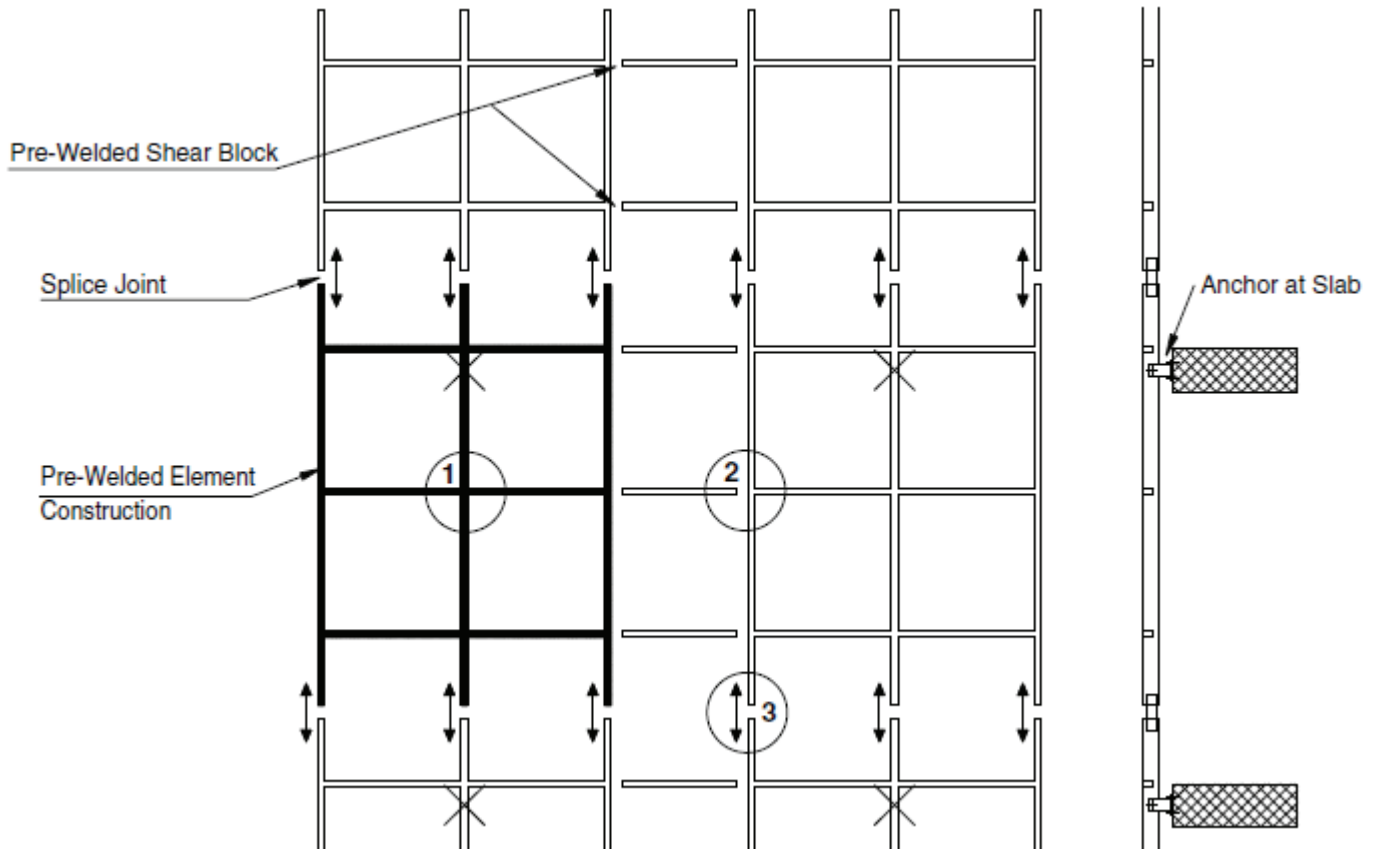
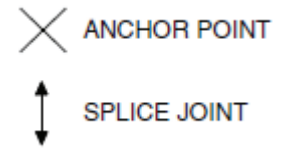
Installation Instructions

Fire Rated Steel Framing System for interior and exterior applications

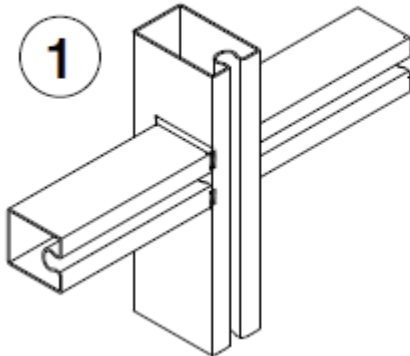
## FRAME ASSEMBLY

ELEMENTS PRE-WELDED IN WORK SHOP

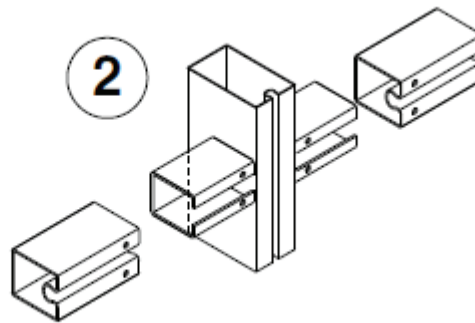
Principle of construction  
Curtain Wall (Option 1: Modular Assembly)



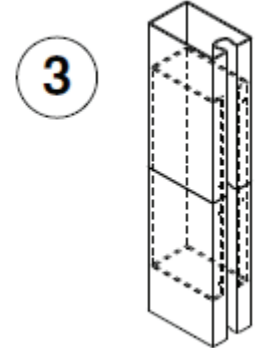
Pre-Welded Module



Pre-Welded Shear Block



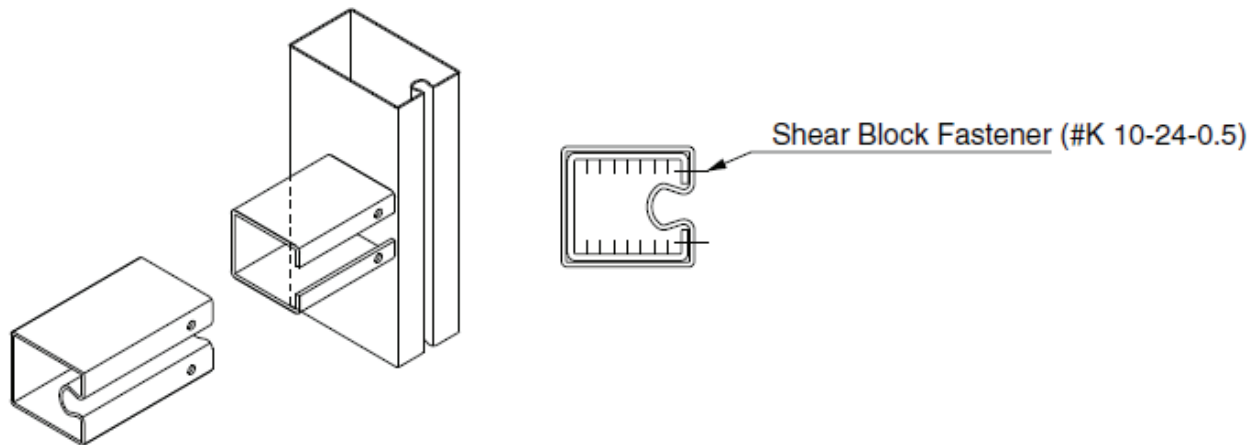
Splice Joint



Fire Rated Steel Framing System for interior and exterior applications

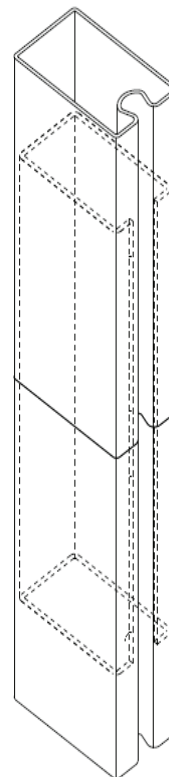
### FRAME ASSEMBLY

Attach horizontals to verticals at the pre-installed, welded shear blocks. Line up the pre-drilled holes and attach using (2) #10-24x1/2" screws per joint, (Part no. K 10-24-0.5). Continue until frame is fully assembled in the opening.



### FRAME ASSEMBLY - SPLICE JOINTS

Splice sleeves are pre-installed into top of vertical mullion. Slide the next length of vertical mullion over splice sleeve and let it drop down onto the lower vertical mullion section. Upper portion of mullion will not be fastened to the splice sleeve to allow for movement.



### Fire Rated Steel Framing System for interior and exterior applications

#### INSTALLING INTERNAL WEATHER STRIPPING - FOR EXTERIOR APPLICATIONS

Refer to the approved shop drawings to identify weather stripping which is keyed to the elevations. Pay attention to the notches in the horizontal weather strippings to ensure they line up with the vertical mullions before installing. Align notches in weather stripping with fastener receivers in mullion. Install pre-notched horizontal weather stripping with drip cap (part #935461) across horizontals first, starting from the left side and working towards the right. The drip cap flap must be installed with the flap to the bottom of mullion (See detail below). Drip cap flap must lay over the top of glass below after installation to prevent water infiltration. Install pre-notched vertical weather stripping (part #935460) into vertical mullions, weathering will overlap the horizontal weathering at each joint. NOTE: The horizontal weather stripping will be pre-notched to clear the pressure plate / fastener receivers and the vertical mullions.

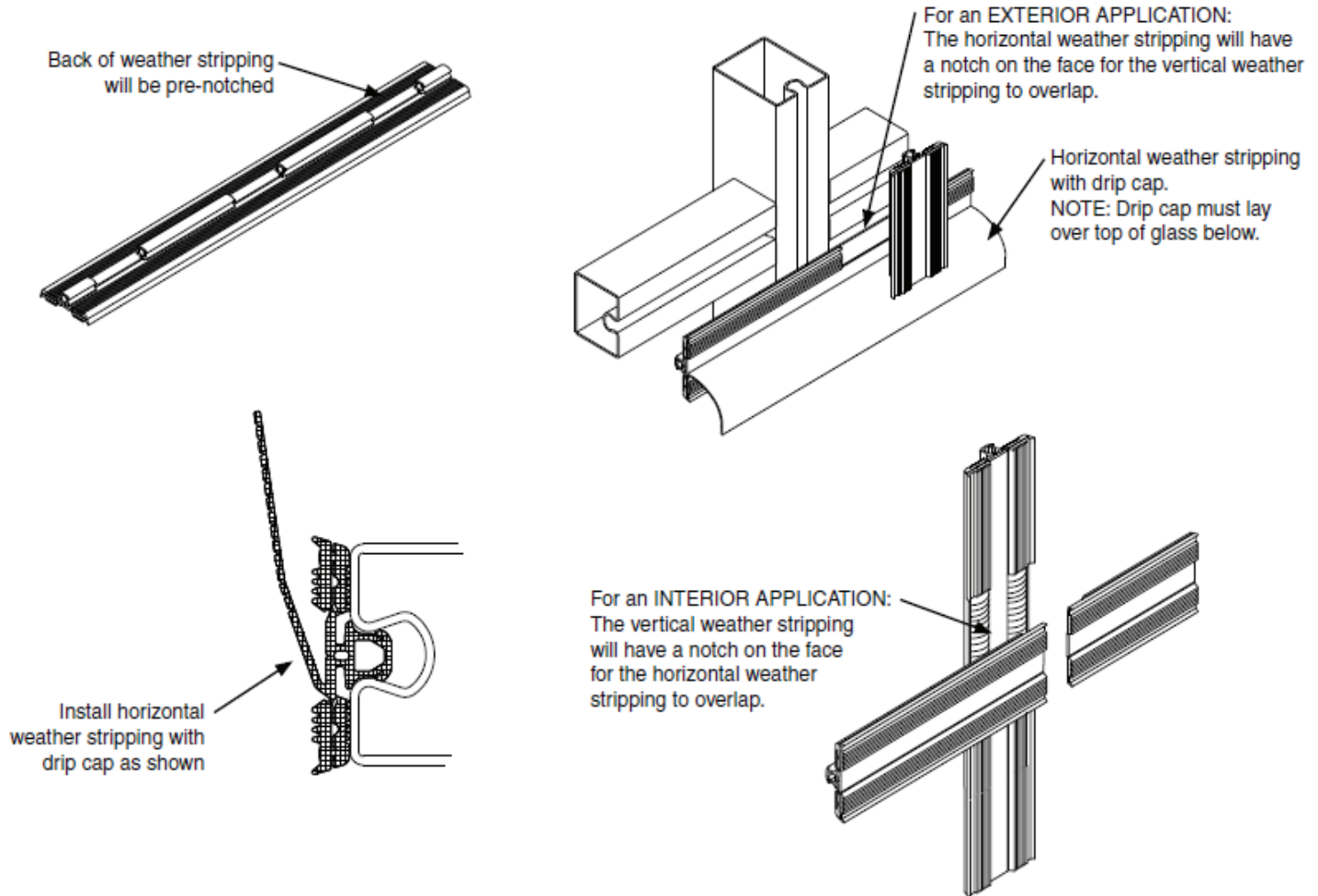
#### INSTALLATION FOR AN INTERIOR APPLICATION

Refer to the approved shop drawings to identify weather stripping which is keyed to the elevations. Pay attention to the notches in the vertical weather strippings to ensure they line up with the horizontal mullions before installing. Align notches in weather stripping with fastener receivers in mullion. Weather stripping is only notched on one side at the vertical jambs. Install pre-notched vertical weather stripping (part #935460) on vertical mullions first. Install pre-notched horizontal weather stripping (part #935460) into horizontal mullions, weathering will overlap the vertical weathering at each joint. (Note: horizontal drip cap not required for interior applications)

NOTE: The vertical weather stripping will be pre-notched to clear the pressure plate / fastener receivers and the horizontal mullions. If additional notching is required in the field, carefully trim off the back of the weather stripping, being careful not to cut through the front of the weathering.

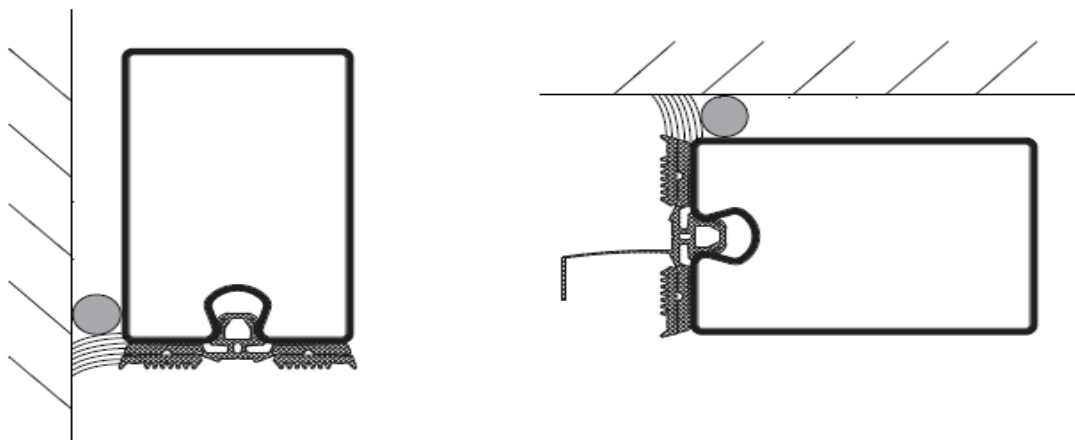


Fire Rated Steel Framing System for interior and exterior applications



### APPLY PERIMETER SEALS

Insert backer rod and sealant as shown around perimeter of frame.

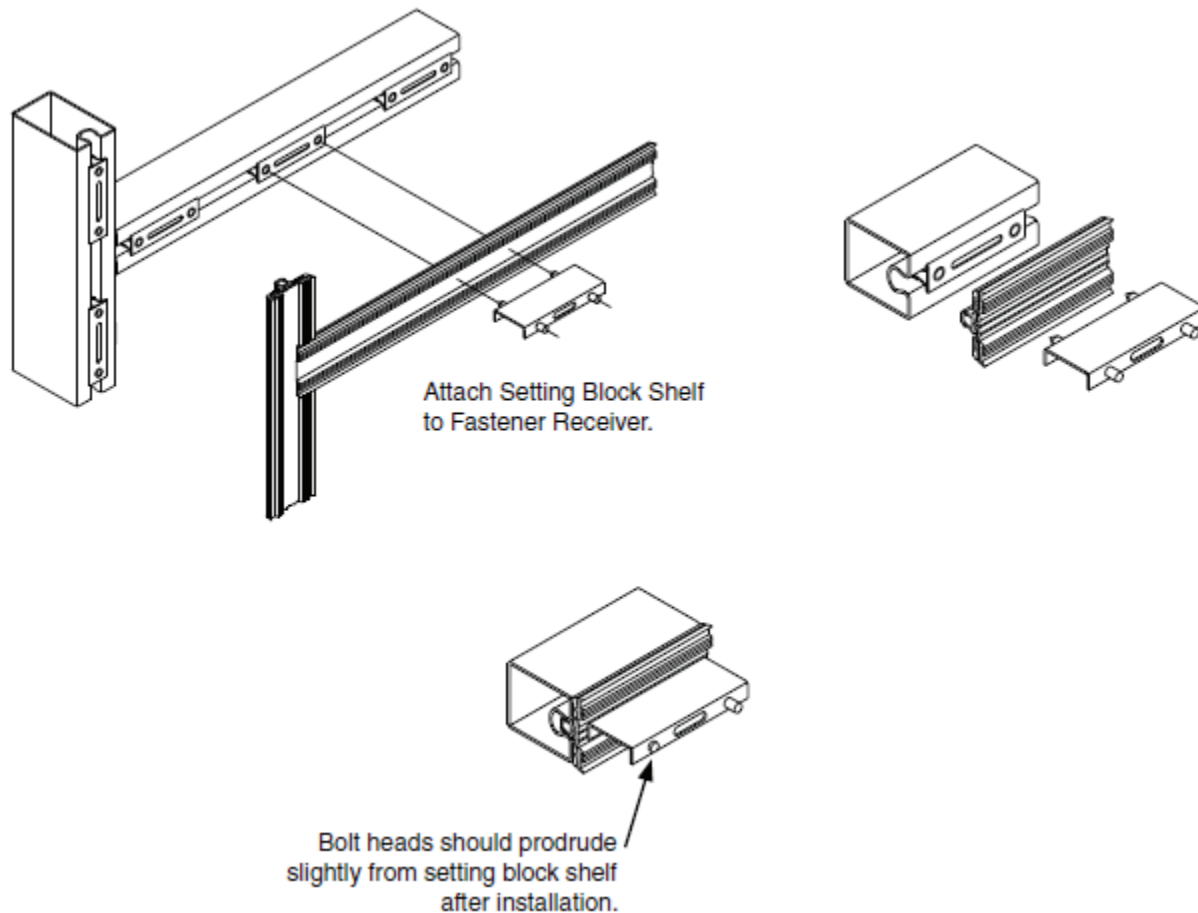


### Fire Rated Steel Framing System for interior and exterior applications

#### SETTING BLOCK SHELF MOUNTING

Use the provided Setting Block Shelf and install at locations as shown on approved shop drawings. Position each setting block shelf over the fastener receivers, which are pre-installed in the mullions. Pull back the weather stripping at receiver locations to align bolts with receiver holes. With a hammer, drive the pre-installed bolts in the setting block shelf through the weather stripping into the fastener receiver holes.

NOTE: Bolt heads should protrude slightly from setting block shelf after installation.

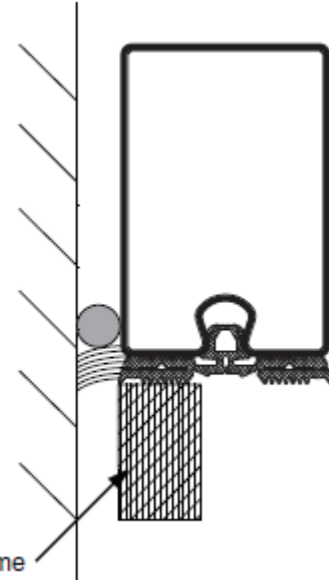
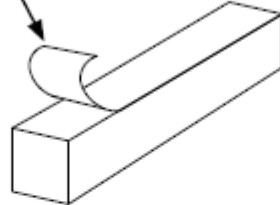


### Fire Rated Steel Framing System for interior and exterior applications

#### INSTALL PERIMETER FILLER

1. Install perimeter filler (Part no. 938014) by peeling paper from adhesive backing and apply to perimeter of head, sill and jambs.

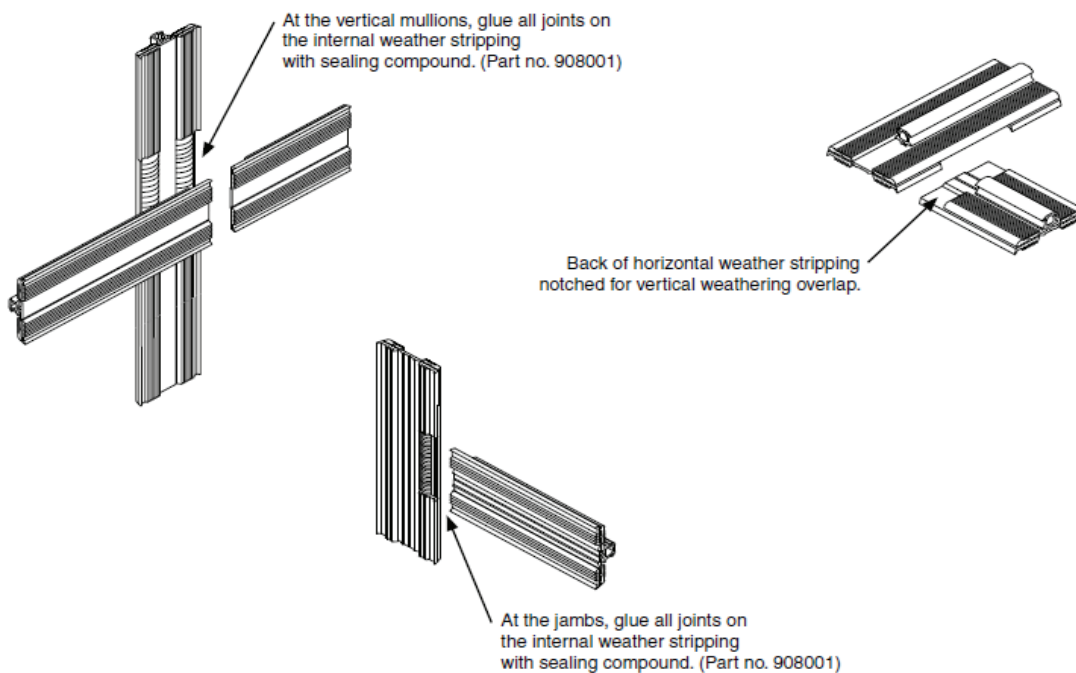
Peel off backing from adhesive



Install perimeter filler around frame

#### SEAL INTERNAL WEATHER STRIPPING (FOR EXTERIOR APPLICATIONS ONLY)

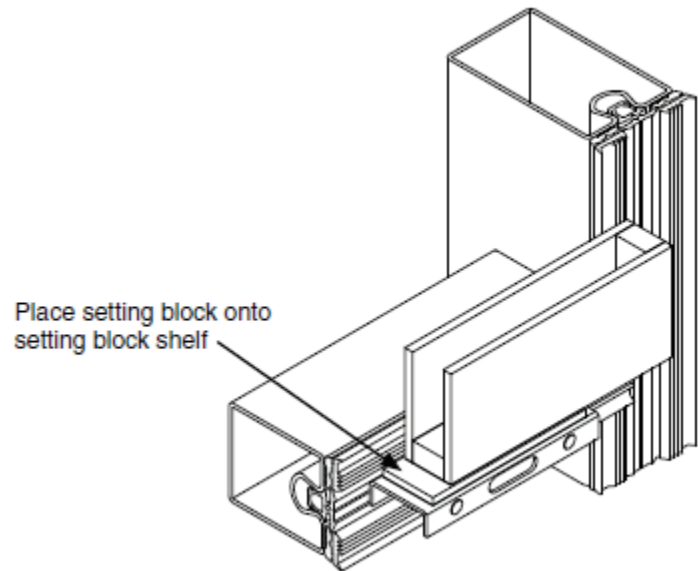
The overlapping of the internal weather stripping has to be glued with the sealing compound (Part. No. 908001) directly before glazing. Seal weather stripping at each lite as they are installed. NOTE: For interior applications the internal weather stripping does not need to be glued.



Fire Rated Steel Framing System for interior and exterior applications

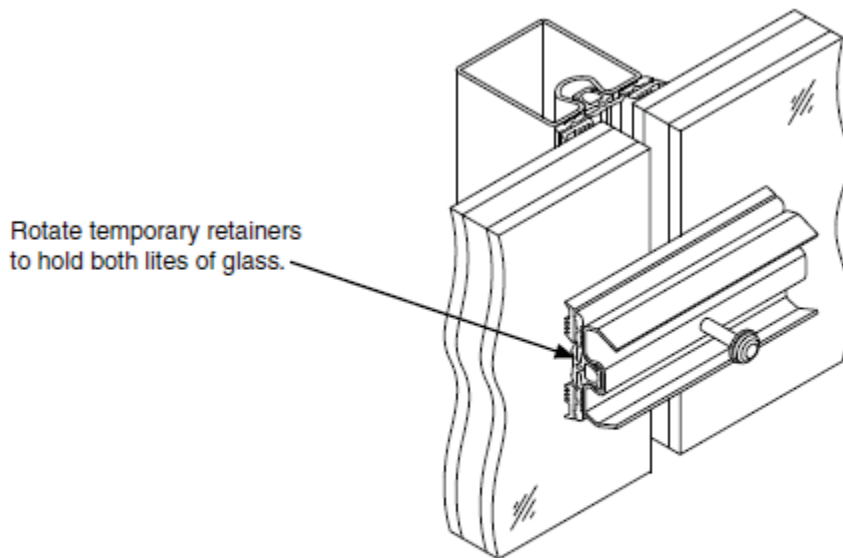
### INSTALL SETTING BLOCKS

Place setting blocks on setting block shelves. Set glass on setting blocks and secure with temporary retainers to the mullions. (Shown Below) Maximum temporary spacing is 30". If winds are greater than 50 MPH (80 KPH) are expected, additional temporaries may be required. Consult your infill supplier for spacing recommendations.



### INSTALL TEMPORARY RETAINERS

After glass is set in place, install temporary retainers horizontally and vertically. Retainers should be rotated to hold glass on both sides of mullion.

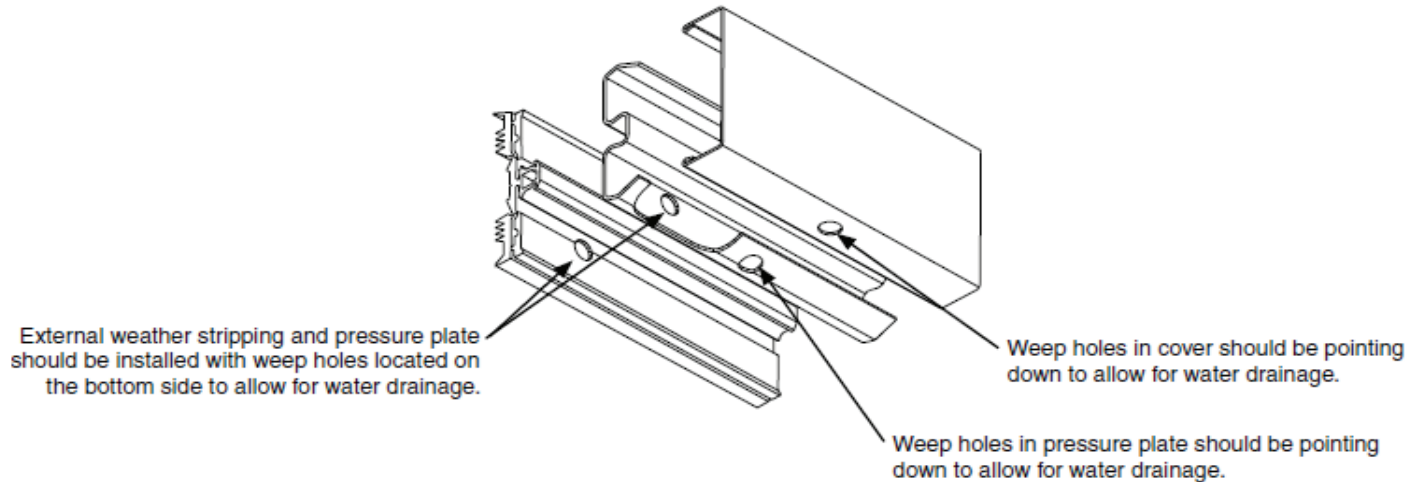


**NOTE: After removal of temporary retainers, seal fastener holes with sealing compound #908001.**

### Fire Rated Steel Framing System for interior and exterior applications

#### WEEP HOLES

The external weather stripping, pressure plate and cover are pre-drilled for weep holes. Ensure that these holes are pointing down to allow for water drainage as shown.



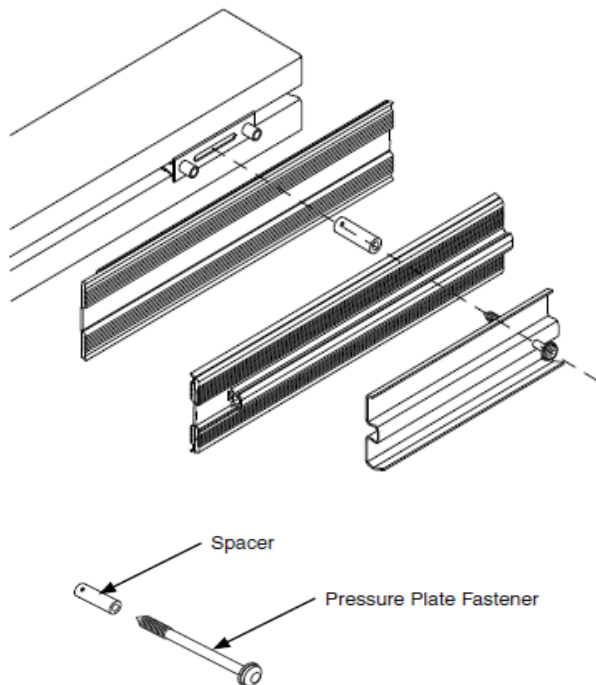
#### INSTALL EXTERNAL WEATHER STRIPPING AND PRESSURE PLATES

1. Install horizontal pressure plates with external weather stripping first.

Remove horizontal temporary retainers.

Install pressure plate fasteners into holes on pressure plate, then press through external weather stripping at an angle.

Install pressure plate fastener spacer onto Pressure Plate Fastener. Then push fastener through the internal weather stripping and into the pressure plate fastener receiver. Lightly attach horizontal pressure plate fasteners, do not secure completely.



2. Install vertical pressure plates with external weather stripping.

Remove vertical temporary retainers.

Install pressure plate fasteners into holes on pressure plate, then press through external weather stripping at an angle.

Install pressure plate fastener spacer onto pressure plate fastener.

Then push fastener through the internal weather stripping and into the pressure plate fastener receiver. Lightly attach horizontal pressure plate fasteners, do not secure completely. After all pressure plates have been installed, torque all horizontal and vertical pressure plate fasteners to 35 inch pounds (4Nm).

### Fire Rated Steel Framing System for interior and exterior applications

#### INSTALL COVERS

Use a rubber mallet and a block of wood to install covers as shown below. Install vertical covers first. Install horizontal covers between the verticals ensuring that they are centered and do not scratch the verticals.



#### REMOVING COVERS

COVERS CAN BE SAVED IF TOLERANCES ARE NOT TOO TIGHT AND THE COVER IS REMOVED WITH EXTREME CARE

PRY BAR WITH SHARP POINT AND FLAT THIS SIDE

PUSH BACK THE GASKET TRIM LIP  
START AT ONE END TO DISENGAGE  
DO THIS IN PROGRESSION FOR THE COMPLETE LENGTH

